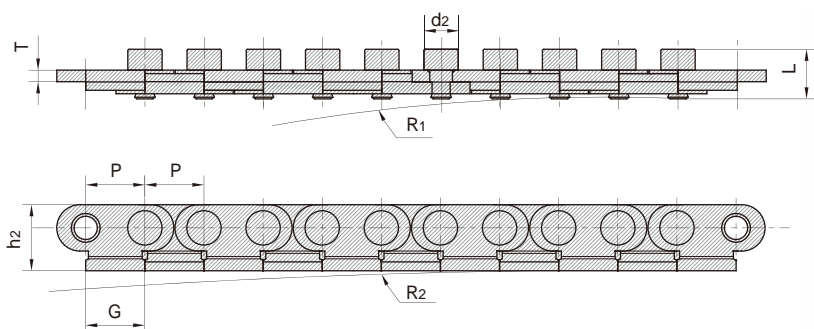


推窗用防弯链 Anti-sidebow chains for pushing window

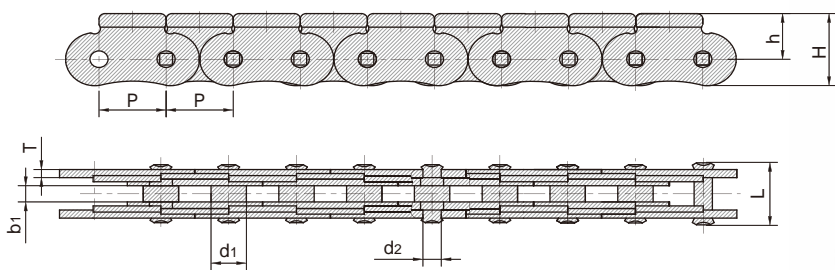
推窗用防弯链 Anti-sidebow chains for pushing window

链号 TSI	节距 Pitch	销轴直径 Pin diameter	销轴长度 Pin length	链板尺寸 Plate dimension			侧弯半径 Side bow radius	
TSI Chain No.	P	d2 max	L max	h2 max	G max	T max	R1	R2
	mm	mm	mm	mm	mm	mm	mm	mm
P12.75SB	12.75	7.4	10.65	14.25	12.8	2.5	500~800	1000
P12.75SBF1	12.75	7.4	11.00	14.25	12.8	2.5	500~800	1000



推窗用防弯链 Anti-sidebow chains for pushing window

链号 TSI	节距 Pitch	滚子直径 Roller diameter	内节内宽 Width between inner plates	销轴直径 Pin diameter	销轴长度 Pin length	链板尺寸 Plate dimension		
TSI Chain No.	P	d1 max	b1	d2 max	L max	H max	h	T
	mm	mm	mm	mm	mm	mm	mm	mm
P12.7SBF2	11.5	6.00	3.00	3.00	10.8	13.5	8.5	1.5/1.5



推窗用防弯链 Anti-sidebow chains for pushing window

推窗用防弯链 Anti-sidebow chains for pushing window

链号 TSI	节距 Pitch	滚子直径 Roller diameter	内节内宽 Width between inner plates	销轴直径 Pin diameter	销轴长度 Pin length	链板尺寸 Plate dimension		
TSI Chain No.	P	d ₁ max	b ₁ min	d ₂ max	L max	H max	h	t/T
	mm	mm	mm	mm	mm	mm	mm	mm
*P9.5SB	9.500	4.80	5.30	3.58	11.50	13.00	8.50	1.04
*P9.525SBF4	9.525	5.08	4.70	3.58	11.40	13.00	8.50	1.30
*35CGLF1	9.525	5.08	4.90	3.58	13.20	13.50	9.00	2.00/1.30
06BF33SS	9.525	6.35	5.72	3.28	13.15	12.38	7.88	1.30
06BF34	9.525	6.35	3.80	3.28	10.00	12.38	7.88	1.04
*06CF22	9.525	5.08	4.77	3.58	11.60	12.86	8.38	1.30
*06CF4SS	9.525	5.08	4.77	3.58	14.80	13.20	-	2.03
08ACGLF1	12.700	7.82	7.85	3.96	16.60	17.00	-	1.50
08BHNCGL	12.700	8.51	5.30	4.45	16.00	17.00	-	2.03
08BF6	12.700	7.95	7.85	3.96	16.60	17.00	11.00	1.50
415BF4	12.700	7.75	4.88	4.09	16.40	17.00	11.00	1.3/3.1
08BSSF20	12.700	8.51	7.75	4.45	16.70	16.50	10.50	1.60
08BSSF74	12.700	8.51	7.75	4.45	18.80	15.50	9.70	1.85
P12.7F4	12.700	7.50	5.50	4.45	15.60	14.30	8.50	2.03

*套筒链：表中滚子直径d₁为套筒直径

*Bush chain: d₁ in the table indicates the external diameter of the bush.

