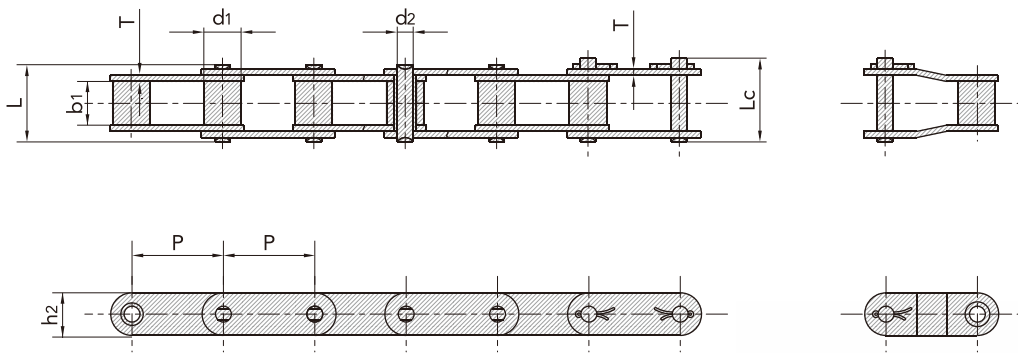


## CA型钢制农机链 CA type steel agricultural chains

CA型钢制农机链 CA type steel agricultural chains

链号 TSI	节距 Pitch	滚子直径 Roller diameter	内节内宽 Width between inner plates	销轴直径 Pin diameter	销轴长度 Pin length		链板尺寸 Plate dimension		极限拉伸载荷 Ultimate tensile strength	平均拉伸载荷 Average tensile strength	每米长重 Weight per meter
					L max	Lc max	h2 max	T max			
TSI Chain No.	P	d1 max	b1 min	d2 max	L max	Lc max	h2 max	T max	Q min	Q0	q
	mm	mm	mm	mm	mm	mm	mm	mm	kN/lbf	kN	kg/m
CA550	41.40	16.87	19.81	7.19	35.0	38.0	19.30	2.80	39.10/8886	51.2	1.94
CA555V	41.40	16.80	19.05	8.28	36.1	39.1	22.00	3.00	55.00/12499	68.7	2.24
CA555	41.40	16.87	12.70	7.19	29.1	32.0	19.30	3.10	39.10/8886	56.0	1.72
CA557	41.40	17.78	20.24	8.00	37.4	40.6	23.10	3.10	55.61/12639	74.3	2.60
CA620	42.01	17.91	24.51	7.19	41.8	45.2	20.20	3.25	39.10/8886	55.1	2.35
CA2060H	38.10	11.91	12.70	5.94	29.2	31.6	18.00	3.25	31.10/6996	40.5	1.45
CA2063H	38.10	11.89	12.70	5.94	29.4	34.2	19.30	3.25	31.28/71.9	40.5	1.65
CAE44151	28.575	15.88	16.20	7.92	33.5	36.9	22.20	3.25	58.80/13363	64.5	2.73
38.4R	38.40	15.88	19.05	6.92	33.4	36.3	17.30	2.50	33.00/7480	41.2	1.70
38.4V	38.40	15.88	18.00	6.92	34.8	37.8	17.30	3.00	40.00/9091	50.0	1.83
CA624	38.40	15.88	19.05	8.28	36.1	39.1	20.50	3.00	50.00/11363	62.5	2.17
S55H	41.40	17.78	22.00	9.00	39.5	43.3	23.00	3.00	55.00/12633	72.6	6.94
CA2050	31.75	10.16	9.40	5.08	20.7	22.2	15.09	2.03	22.20/5045	28.1	0.78
Ca2060	38.10	11.91	12.57	5.94	25.9	27.7	18.00	2.42	31.80/7227	36.8	1.12
CA550HD	41.40	16.66	19.48	8.28	36.8	40.3	19.81	3.10	39.11/8886	50.8	2.16
CA550R	41.40	16.87	19.80	7.19	36.3	39.3	19.30	3.10	57.70/13113	61.5	2.20



## CA型钢制农机链 CA type steel agricultural chains

CA型钢制农机链 CA type steel agricultural chains

链号 TSI	节距 Pitch	滚子直径 Roller diameter	内节内宽 Width between inner plates	销轴直径 Pin diameter	销轴长度 Pin length		链板尺寸 Plate dimension		极限拉伸载荷 Ultimate tensile strength	平均拉伸载荷 Average tensile strength	每米长重 Weight per meter
					L max	Lc max	h2 max	T max			
TSI Chain No.	P	d1 max	b1 min	d2 max	L max	Lc max	h2 max	T max	Q min	Q0	q
	mm	mm	mm	mm	mm	mm	mm	mm	kN/lbf	kN	kg/m
CA2801	30.00	15.88	19.05	8.28	36.1	39.4	20.5	3.00	50.00/11247.	55.0	2.51
CA550D	41.40	16.87	19.81	7.19	35.0	38.0	19.3	2.80	39.10/8886	51.2	1.94
CA555D	41.40	16.87	12.70	7.19	29.1	32.0	19.3	3.10	38.10/8886	56.0	1.72
CA557D	41.40	17.78	20.24	8.00	37.4	40.6	23.1	3.10	55.61/12639	74.3	2.60
CA620D	42.01	17.91	24.51	7.19	41.8	45.2	20.2	3.25	39.10/8886	55.1	2.35

